

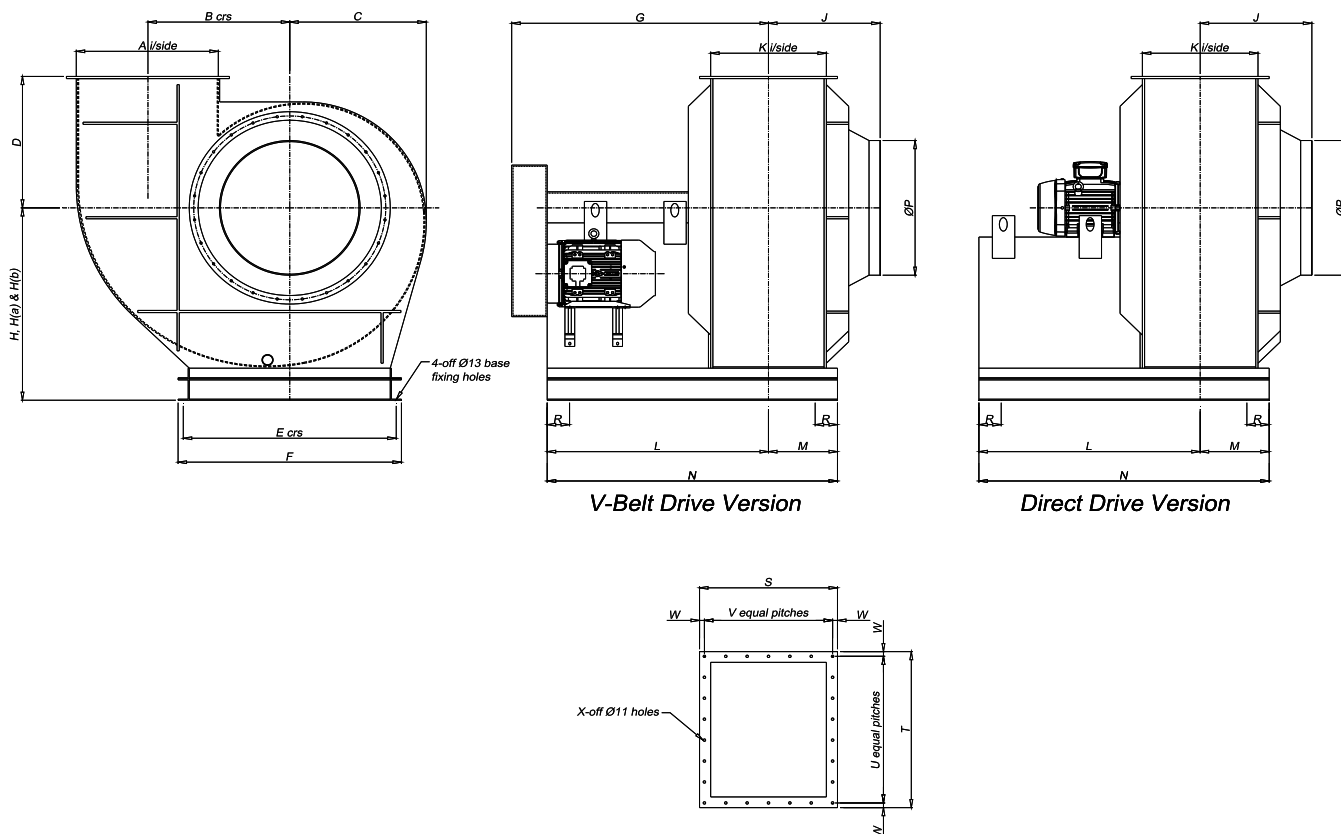
CPV Fan Range - Sizes 630 - 1250

The CPV range of fan units are the most efficient we produce and are fitted with a 6 bladed Backward Curve impeller giving efficiencies of up to 85%, thus giving appreciable power savings with non-overloading power characteristics. The impellers are CNC machined from Heat Stabilized Polypropylene and balanced to ISO1940/1 - G6.3.

Fan casings are also CNC machined either from Black Polypropylene or PVC/GRP.

As with all our fans the steelworks are galvanised as standard and we only use stainless steel fixings.

Duty ranges from 4000m³/hr - 100,000m³/hr with pressures up to 2500Pa and are available in either direct, v-belt or inverter drive versions.



DIMENSION CHART

Fan Size	A	B	C	D	E	F	G	H	Ha	Hb	J	K	L	M	N	P	R	S	T	U	V	W	X
CPV630	630	635	650	615	956	1000	1150	900	1200	1000	500	518	991	309	1300	630	100	618	730	7	6	22	26
CPV800	800	806	785	750	1156	1200	1280	1100	1400	1200	550	648	1126	374	1500	800	100	748	900	9	8	22	34
CPV1000	1000	1000	970	900	1536	1600	1490	1450	1800	1600	600	818	1321	479	1800	1000	150	918	1100	11	9	22	40
CPV1250	1250	1260	1215	1100	1936	2000	1611	1750	2200	2000	750	1018	1411	589	2000	1250	150	1118	1350	14	11	22	50

Fan Handings viewed from inlet side

