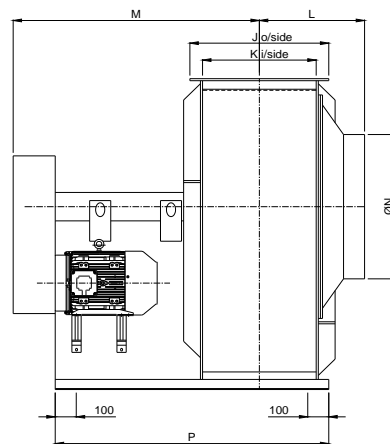
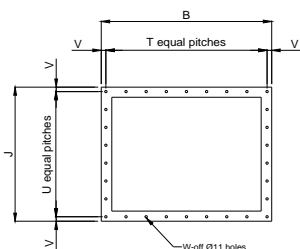
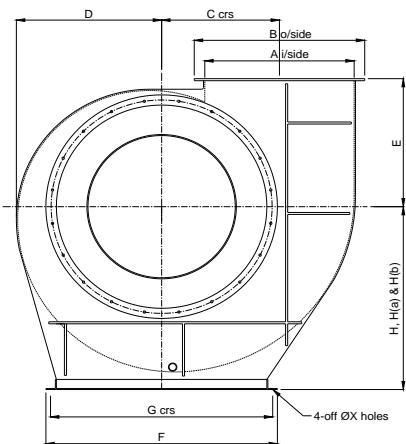
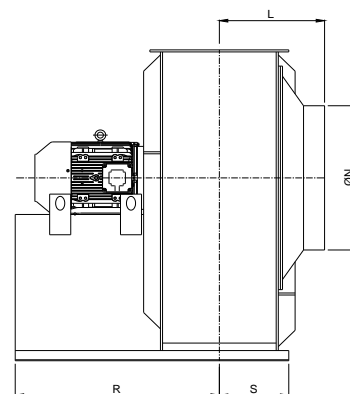


CMHV Fan Range - Sizes 450 - 1250

The CMHV fan range was developed in response to our customers demands for higher efficiency fans fitted with backward curve impellers to help reduce power consumption and therefore reduce running costs. All units are fitted with an 8 bladed Backward Curve impeller giving efficiencies of up to 80%. The impellers are CNC machined from Heat Stabilized Polypropylene and balanced to ISO1940/1 - G6.3. Fan casings are also CNC machined from Polypropylene or PVC/GRP. Duty ranges from 2000m³/hr - 100,000m³/hr with pressures up to 3000Pa and available in either direct, v-belt or inverter drive versions.



V-Belt Drive Version



DIMENSION CHART

Fan Size	A	B	C	D	E	F	G	H	Ha	Hb	J	K	L	M	N	P	R	S	T	U	V	W	X
CMHV450	450	550	355	441	400	710	666	630	710	630	455	355	280	922	450	1000	772	227	6	5	22	22	13
CMHV500	500	600	400	494	450	800	756	630	800	710	500	400	315	900	500	1000	750	250	6	5	22	22	13
CMHV560	560	660	450	553	500	900	856	710	900	800	550	450	355	1175	560	1200	925	275	7	6	22	26	13
CMHV630	630	730	500	614	560	1000	956	800	1000	900	600	500	400	1250	630	1400	1100	300	7	6	22	26	13
CMHV710	710	810	560	687	630	1120	1076	900	1120	1000	660	560	450	1245	710	1400	1070	330	8	7	22	3	13
CMHV800	800	900	630	771	710	1250	1186	1000	1250	1120	730	630	500	1390	800	1600	1215	385	9	7	22	32	13
CMHV900	900	1000	710	867	800	1400	1336	1120	1400	1250	810	710	560	1450	90	1700	1275	425	10	8	22	36	13
CMHV1000	1000	1140	800	972	900	1600	1526	1250	1500	1400	940	800	630	1520	1000	1800	1320	480	11	9	32	40	17
CMHV1120	1120	1260	900	1091	1000	1800	1726	1500	1700	1500	1040	900	710	1670	1120	2000	1470	530	12	10	32	44	17
CMHV1250	1250	1390	1000	1211	1120	2000	1926	1500	1800	1600	1140	1000	800	1720	1250	2100	1520	580	14	11	32	50	17

Fan Handings viewed from inlet side

