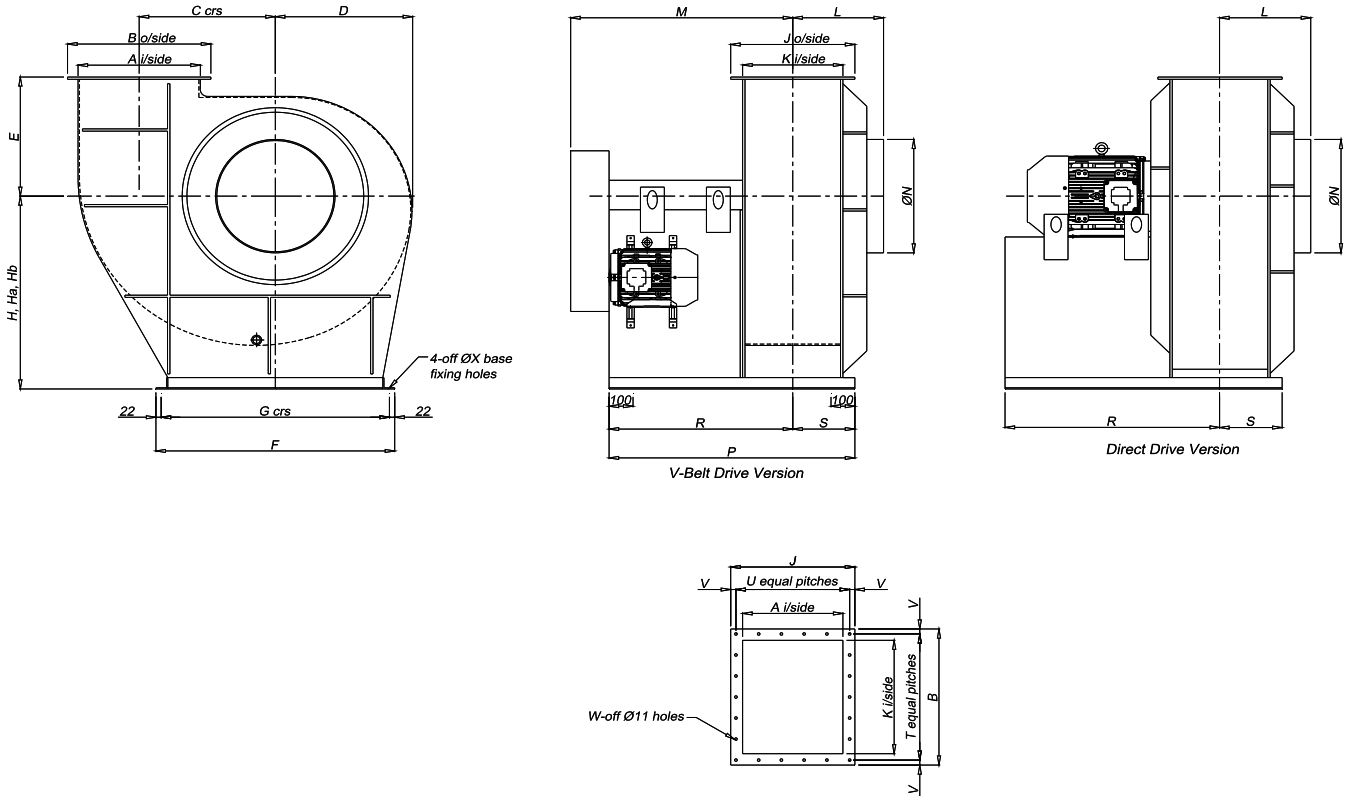


CMV Fan Range - Sizes 500 - 1250

CMV500 - CMV1250 fan units are fitted with the same design impeller as the **CMVeco** range, a 20 bladed Radial Tipped Impeller giving efficiencies of up to 70%, these impellers are CNC machined from Heat Stabilized Polypropylene and balanced to ISO1940/1 - G6.3.

Fan casings are also CNC machined either from Black Polypropylene or PVC, GRP reinforcement is available as an extra. As with all our fans the steelworks are galvanised as standard and we only use stainless steel fixings.

Duty ranges from 4000m³/hr - 110,000m³/hr with pressures up to 1900Pa and are available in either direct, v-belt or inverter drive versions.



DIMENSION CHART

Fan Size	A	B	C	D	E	F	G	H	Ha	Hb	J	K	L	M	N	P	R	S	T	U	V	W	X
CMV500	500	600	570	575	525	1000	956	850	950	850	520	420	380	930	500	1029	769	260	6	5	22	22	13
CMV560	560	660	640	625	585	1125	1081	950	1050	950	558	458	390	995	560	1117	838	279	7	6	22	26	13
CMV630	630	730	710	700	655	1300	1256	1050	1150	1050	600	500	430	1090	630	1209	909	300	7	6	22	26	13
CMV710	710	810	800	780	735	1400	1356	1100	1250	1100	660	560	445	1100	710	1269	939	330	8	7	22	30	13
CMV800	800	900	900	875	825	1500	1436	1120	1450	1300	730	630	500	1185	800	1409	1024	385	9	7	22	32	13
CMV900	900	1000	1000	990	925	1700	1636	1300	1600	1400	810	710	535	1375	900	1589	1164	425	10	8	22	36	13
CMV1000	1000	1140	1125	1110	1025	1700	1636	1425	1750	1600	940	800	580	1520	1000	1779	1309	470	11	9	32	40	13
CMV1120	1120	1260	1260	1225	1140	1900	1826	1650	1950	1800	1040	900	630	1630	1120	1939	1409	530	12	10	32	44	13
CMV1250	1250	1390	1410	1365	1270	2160	2086	1790	2200	2000	1140	1000	680	1685	1250	2039	1459	580	14	11	32	50	13

Fan Handings viewed from inlet side

