

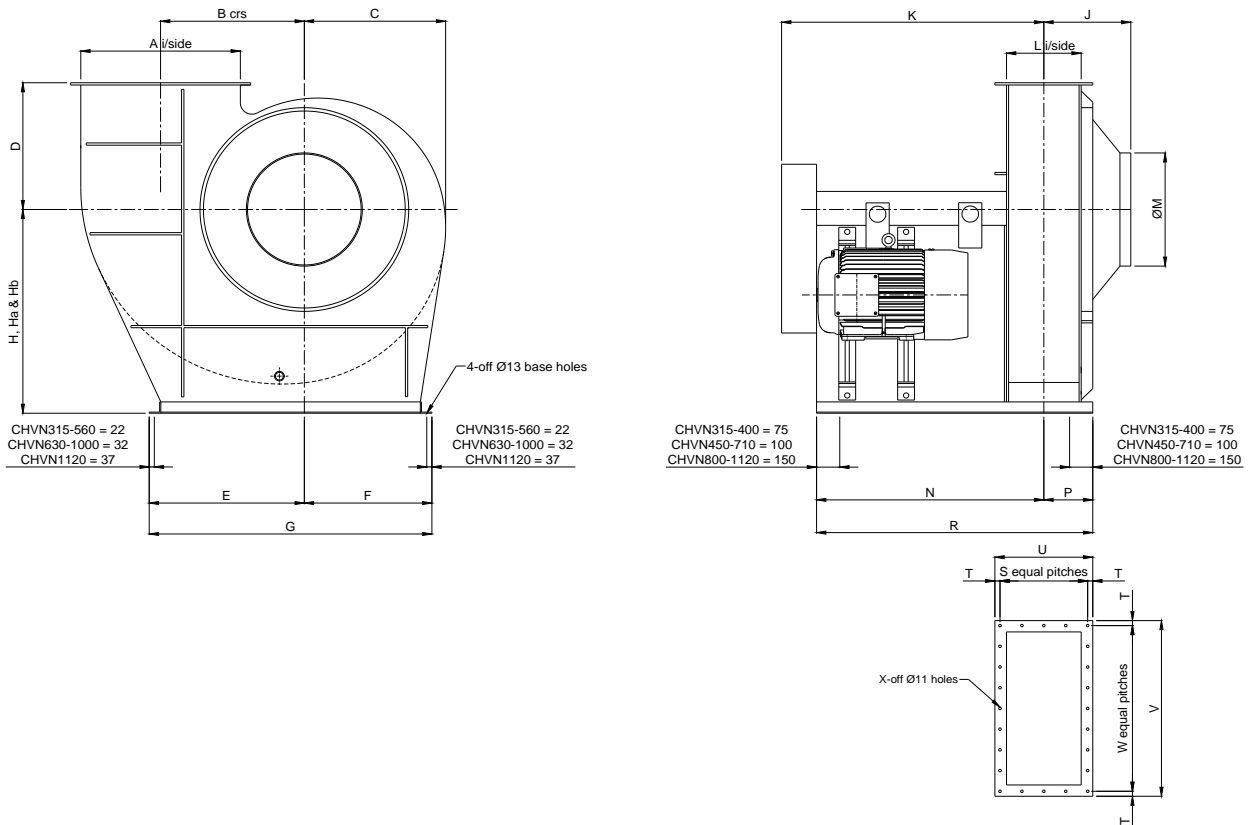
CHVN Fan Range - Sizes 315 - 1120

The CHVN range is fitted with a Backward Inclined Impeller giving efficiencies of up to 80%, these impellers are CNC machined from Heat Stabilized Polypropylene and balanced to ISO1940/1 - G6.3.

Fan casings are also CNC machined either from Black Polypropylene or PVC/GRP.

As with all our fans the steelworks are galvanised as standard and we only use stainless steel fixings.

Duty ranges from 1,500m³/hr - 90,000m³/hr with pressures up to 6250Pa and are available in either direct, v-belt or inverter drive versions.



DIMENSION CHART

Fan Size	A	B	C	D	E	F	G	H	Ha	Hb	J	K	L	M	N	P	R	S	T	U	V	W	X
CHVN315	425	390	390	355	440	275	715	560	700	600	264	800	188	315	653	144	797	3	22	288	525	5	16
CHVN355	490	445	445	400	495	350	845	630	800	700	284	870	224	355	721	162	883	3	22	324	590	6	18
CHVN400	546	495	490	450	545	350	895	710	900	800	300	950	258	400	798	179	977	4	22	358	646	7	22
CHVN450	604	560	555	500	608	450	1058	800	1000	900	340	1090	296	450	937	198	1135	4	22	396	704	7	22
CHVN500	676	620	610	560	669	550	1219	900	1100	1000	375	1130	322	500	980	211	1191	4	22	422	776	8	24
CHVN560	760	700	700	630	751	550	1301	1000	1200	1100	450	1140	356	560	987	228	1215	5	22	456	860	9	28
CHVN630	856	795	780	710	779	600	1379	1120	1400	1200	480	1260	400	630	1109	270	1379	5	32	540	996	10	30
CHVN710	950	900	882	800	968	670	1638	1250	1500	1300	510	1440	460	710	1239	300	1539	6	32	600	1090	11	34
CHVN800	1080	900	980	900	1000	800	1800	1350	1700	1500	560	1460	500	800	1262	320	1582	6	32	640	1220	12	36
CHVN900	1200	1115	1100	1000	1100	900	2000	1500	1900	1700	630	1495	570	900	1295	355	1650	7	32	710	1340	13	40
CHVN1000	1350	1235	1220	1120	1250	1000	2250	1600	2100	1900	710	1525	635	1000	1325	388	1713	8	32	775	1490	15	46
CHVN1120	1500	1395	1375	1250	1400	1100	2500	1800	2300	2100	800	1712	700	1120	1512	420	1932	8	32	840	1640	16	48

Fan Handings viewed from inlet side

