

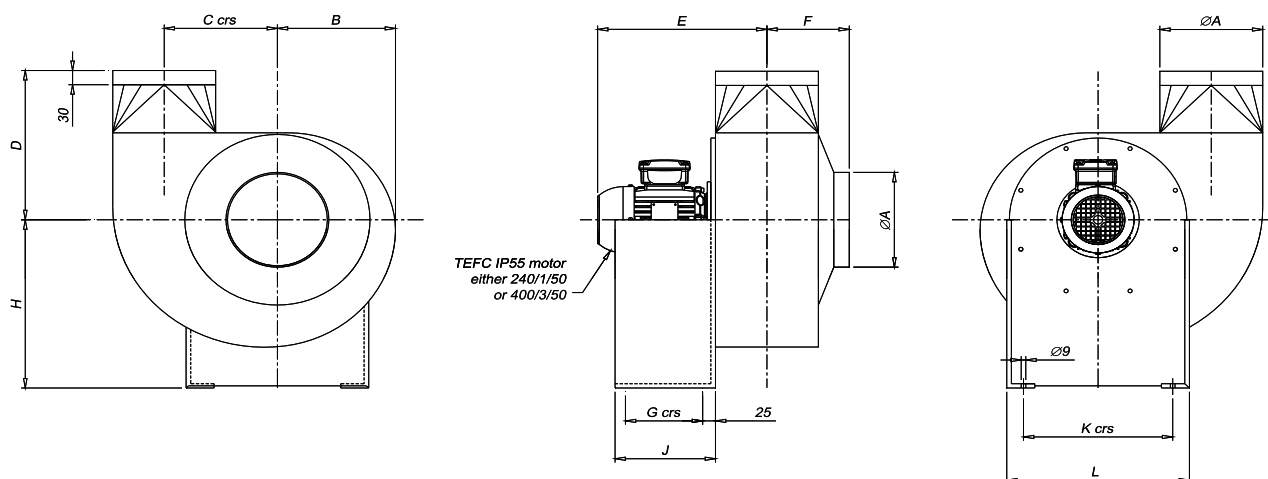
SV Fan Range - Size 200 - 250

The SV range of fans has been developed especially for the School Ventilation market to provide a cost effective corrosion resistant fan built with quality materials. The SV range is available in three configurations SV200N, SV200W and SV250 all with circular inlet and outlets to make installation easier and come complete with rubber AV mounts and sleeve type flexible connections with stainless steel clip bands.

All SV fans are CNC machined to provide a high quality finish matched with accuracy, all impellers are radial type providing either clockwise or anti-clockwise rotation, and all supports are CNC machined and formed to provide support for the fan casing and motor.

Motors can either be 240/1/50 or 400/3/50 running @ 1400rpm; all motors are weatherproofed to IP55 as standard, SV fans can also be fitted with local isolators or inverters.

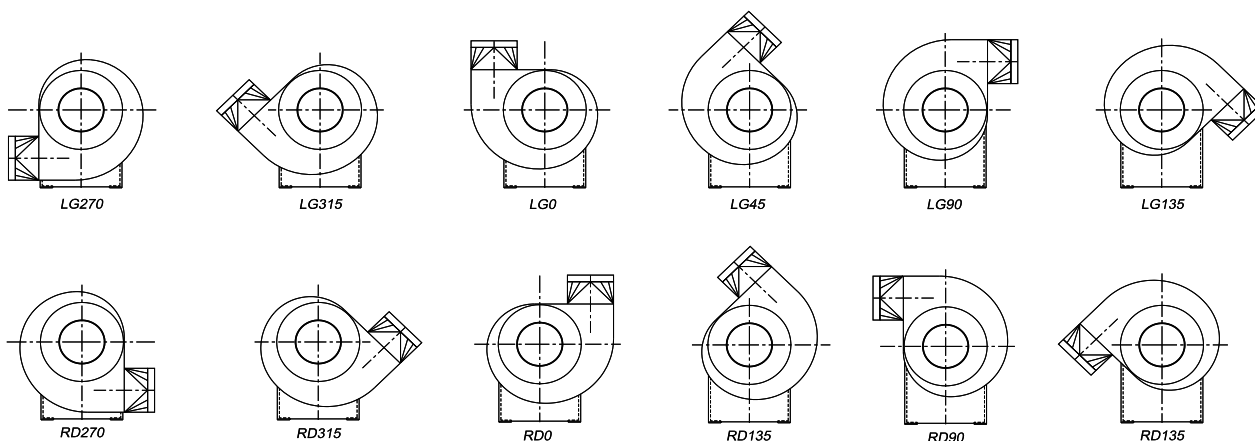
Duty Range: 200m³/hr - 1900m³/hr - Pressures up to 490Pa



DIMENSION CHART

Fan Size	A	B	C	D	E	F	G	H	J	K	L
SV200	200	229	220	315	329	160	150	355	195	290	355
SV250	250	275	259	375	339	175	175	390	225	316	390

Fan Handings viewed from inlet side



SV Fan Range

SV RANGE PERFORMANCE CURVE

Motor Data:

SV250 - 0.37kW 1400rpm TEFC IP55 Motor
 SV200W - 0.25kW 1400rpm TEFC IP55 Motor
 SV200N - 0.25kW 1400rpm TEFC IP55 Motor

Noise Data: (ducted @ 1m)

SV250 - 59 dB(A)
 SV200W - 57 dB(A)
 SV200N - 56 dB(A)

